

Telecommunication Peripheral Products  
**Technical Practice**

**CPA-7A**  
General Purpose  
Telecom Paging System  
June 7, 1998

## Add Paging, Loud Ringing and Background Music to Centrex, PABX's or Key Systems



The **CPA-7A** is a cost effective, general purpose, telecom paging system.

The **CPA-7A** provides 7 watts of power for many telecom paging applications and can also provide background music and night bell capability.

Compatible with ringing Centrex and analog PABX/KSU station ports as well as unused trunk inputs, the **CPA-7A** will also interface directly with standard paging ports. For loud

ringing, the **CPA-7A** generates an adjustable loud warble from a dry contact closure or a ringing C.O. or analog PABX/KSU station.

The **CPA-7A** is easy to install and can eliminate the installation of multiple bells, relays and paging cards.

<http://www.VikingElectronics.com>

[E-mail...Sales@VikingElectronics.com](mailto:Sales@VikingElectronics.com)

### Features

- 7 watts of paging power (powers up to 8 horns)
- Day/night switchable for paging/loud ring
- Ringing volume adjustment
- Paging volume adjustment
- Interfaces with ringing Centrex or C.O. lines, paging ports, unused trunk ports, or a ringing analog station port
- Background music is muted during page
- Provides "Night Bell" warble tone via contact closure or ringing analog circuit
- Provides page "Alert" tone before paging

**Made in the U.S.A.**

### Applications

- Paging and loud ringing for Centrex systems
- Paging and loud ringing for systems with paging ports, analog station ports or trunk ports

**Sales...(715) 386 - 8861**

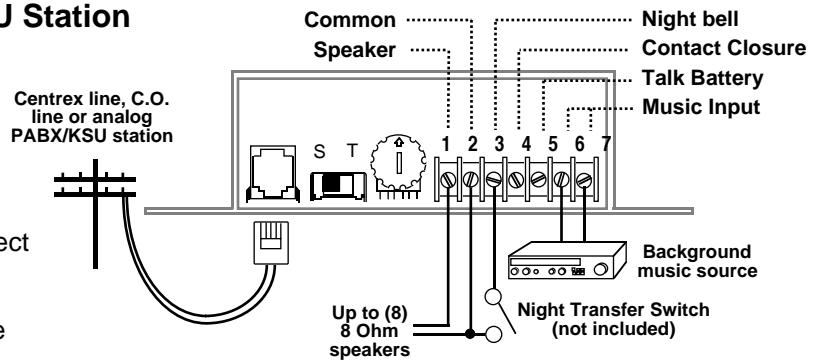
### Specifications

**Power:** 120V AC/13.8V AC 1.25 A, UL listed adapter provided  
**Amplifier:** 7 watts - to power up to (8) 8 ohm speakers or (16) 45 ohm speakers  
**Speakers:** (1) 25AE paging horn  
**Dimensions:** 133 mm x 89 mm x 44 mm (5.25" x 3.5" x 1.75")  
**Shipping Weight:** 1.36 kg (3 lbs)  
**Environmental:** 0°C to 32°C (32°F to 90°F) with 5% to 95% non-condensing humidity  
**Sound Pressure Level:** 110 dB @ 1 m  
**Maximum Cable Length:** 91 m (300 ft) 18 AWG

# Installation/Applications

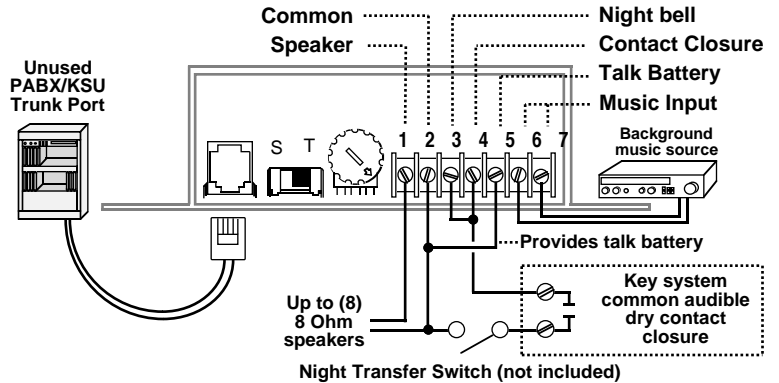
## A. Centrex or Ringing Analog PABX/KSU Station

1. Set the trunk station switch to the **S** position.
2. Adjust the **TIME OUT** control as required (8 - 25 seconds).
3. With the night transfer switch off (open), the **CPA-7A** will answer and page, then disconnect on CPC or time out.
4. With the night transfer switch on (closed), the **CPA-7A** will broadcast an electronics warble tone with each ring.



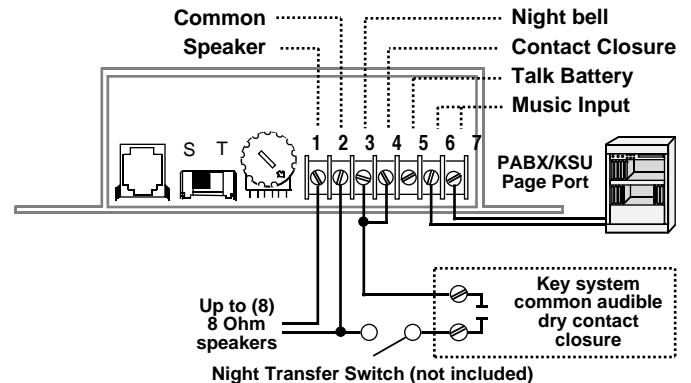
## B. Unused Phone System Trunk Input

1. Set the trunk station switch to the **T** position.
2. Adjust the **TIME OUT** control to the maximum.
3. If both paging and loud common audible are required, wire the night transfer switch, the common audible dry contacts and jumper terminal 3 to 4 as shown to the right.



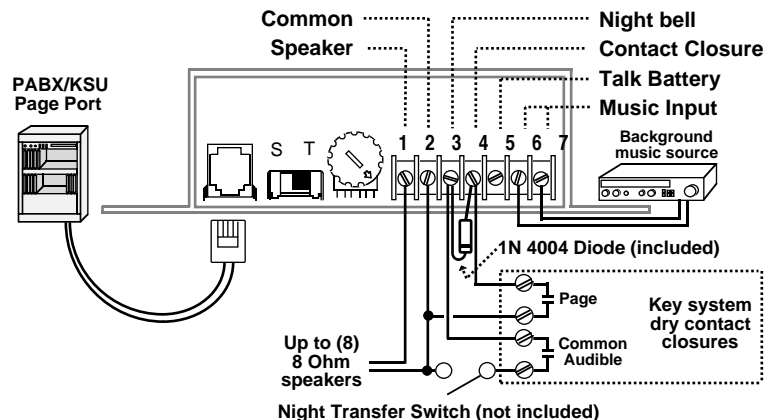
## C. 600 ohm Paging Port

1. If the phone system does NOT provide a dry contact closure on "Page", connect the paging port to the music input, terminals 6 and 7.
- Note: The CPA-7A can NOT provide background music or alert tones in this application.*
2. If loud common audible is required, wire the night transfer switch, the common audible dry contacts and jumper terminal 3 to 4 as shown to the right.



## D. 600 ohm Paging Port (with page dry contact closure provided)

1. Set the trunk station switch to the **T** position.
2. Adjust the **TIME OUT** control to the maximum.
3. Do **NOT** strap terminal 2 to terminal 5.
4. Connect the page dry contacts to terminals 2 and 4. Closure will activate the alert tone for paging and mute the background music.
5. If both paging and loud common audible are required, wire the night transfer switch, the common audible dry contacts and the included 1N 4004 diode as shown to the right.



**Product Support Line...(715) 386-8666**

**Fax Back Line...(715) 386-4345**

Due to the dynamic nature of the product design, the information contained in this document is subject to change without notice. Viking Electronics, its affiliates and/or subsidiaries assume no responsibility for errors and/or omissions contained in this information. Revisions of this document or new editions of it may be issued to incorporate such changes.