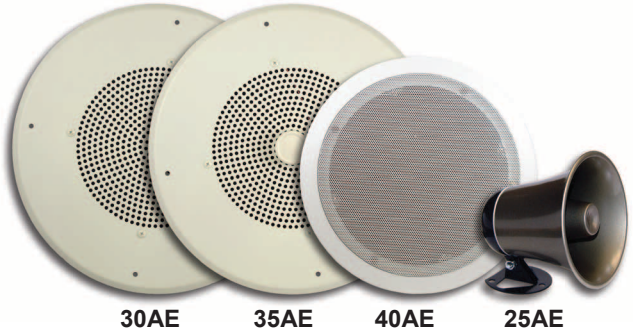


## Cost Effective 8 ohm\* Speakers for Indoor and Outdoor Use

The **25AE, 30AE, 35AE,** and **40AE** paging speakers provide additional economical paging coverage to existing Viking paging units (**PA-2A, PA-15, PA-30, PA-60, M2W**) or to any system with an 8 ohm output.

In outdoor, factory or warehouse environments, **25AE** paging horns are the best method of producing understandable sound. In these environments the directional design allows the installer to focus the sound cone down aisles and toward work areas.



30AE

35AE

40AE

25AE

In office and restaurant environments, it is best to distribute sound more evenly. Ceiling mounted **30AE, 35AE,** or **40AE** speakers in close proximity offer the best distribution and are cost effective. The **35AE** speakers include a volume control.

\* For 70V paging horns and speakers see Viking Models **25AE-70V** and **30AE-70V** (DOD 471 & 473)

### Features

#### 25AE Paging Horn

- Adjustable base for easy mounting and directional adjustment
- Compact design for discreet mounting

#### 30AE/35AE Ceiling Speakers

- Metal white grill for flush mounting in office ceilings
- Basic Mounting hardware included, for optional tile bridge see **SA-TBA** (DOD 534)
- Excellent frequency response
- The **35AE** includes a volume control

#### 40AE Ceiling Speakers

- Attractive with a modern look
- Flush mounts into a 9.5" to 10" diameter hole
- Integral mounting system
- Excellent sound quality

### Applications

- Add additional speakers and coverage area to existing paging systems such as Viking models:
  - **PA-2A** (DOD 485)
  - **PA-15** (DOD 486)
  - **PA-30** (DOD 489)
  - **PA-60** (DOD 493)
  - **M2W** (DOD 480)
- Add speakers to the **DVA-2WA**
- For greater intelligibility and louder paging see Viking model **300AE Paging Horn** (DOD 497)

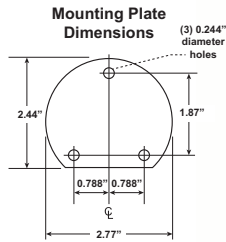
### Specifications

See complete specifications on page 2.

## Specifications and Installation

### A. 25AE Paging Horn

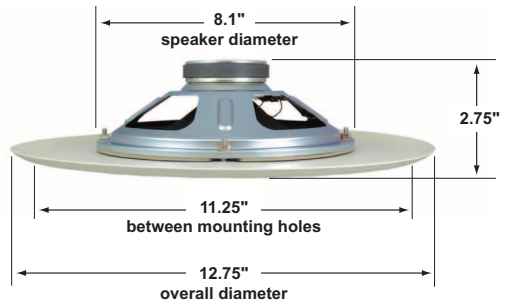
**Nominal Power:** 12 Watts  
**Impedance:** 8 Ohms  
**Connection:** 69" 24 awg Pigtail wire  
**Dimensions:** 5" (127mm) diameter  
**Shipping Weight:** 1.5 lbs (.68 kg)  
**Environmental:** 5% to 95% non-condensing humidity  
**Frequency Response:** 600 Hz to 7000 Hz



**Installation:** The **25AE** paging horn is designed to be surface mounted to any rigid surface. Designed to meet IP53 ingress protection rating when mounted with horn pointing downward at least 45 degrees from horizontal.

### B. 30AE/35AE Ceiling Speaker

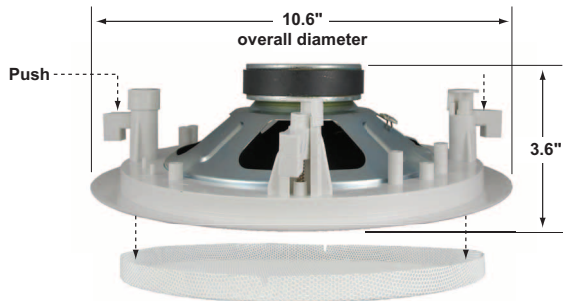
**Nominal Power:** 6 Watts  
**Impedance:** 8 Ohms  
**Connection:** 6" 16 awg Pigtail wires (35AE),  
.25" Faston Terminal (30AE)  
**Dimensions:** 12.75" x 3.75"  
(324mm x 95mm)  
**Shipping Weight:** 3 lbs (1.36 kg)  
**Environmental:** 5% to 95% non-condensing humidity  
**Frequency Response:** 85 Hz to 15,000 Hz



**Installation:** Flush mount into an 8.25" to 10.0" diameter hole. Basic mounting hardware (screws, nuts and washer) for the **30AE** and **35AE** ceiling speakers is included for easy installation in drop ceilings or speaker enclosures. For applications requiring a tile bridge, use Viking Tile Bridge Model **SA-TBA** (DOD 534)

### B. 40AE Ceiling Speaker

**Nominal Power:** 15 Watts  
**Impedance:** 8 Ohms  
**Connection:** .25" Faston Terminal  
**Dimensions:** 10.6" x 3.6" (270mm x 90mm)  
**Shipping Weight:** 3 lbs (1.36 kg)  
**Environmental:** 5% to 95% non-condensing humidity  
**Frequency Response:** 85 Hz to 15,000 Hz



**Installation:** The **40AE** has an integral mounting system that requires only a phillips screw driver to quickly flush mount the speaker into a 9.5" to 10" diameter hole. Before mounting the **40AE** speaker, push the four mounting brackets to pop off the grill as shown in the diagram.

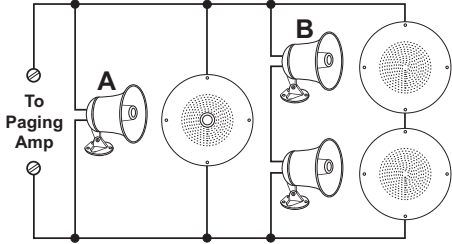
# Wiring

**Note:** The 25AE paging horn is approximately 5dB louder than the ceiling speakers.

**Important:** The 35AE ceiling speaker must be parallel wired.

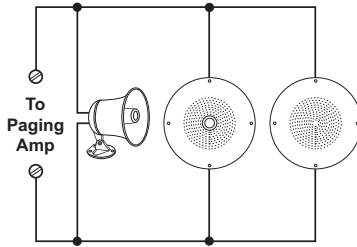
## A. Series / Parallel

Speaker A will have approximately twice the volume of speaker B, as shown in the wiring diagram to the right.



## B. Parallel

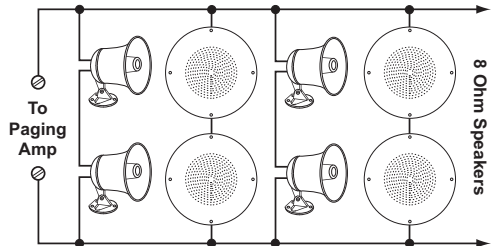
Similar speakers will have the same volume, as shown in the wiring diagram to the right.



## C. Series / Parallel

If connected as shown below right, see the table for speaker recommendations.

Paging Amp	Outputs	Speaker per Output	
		Parallel	Series/Parallel
HF-3W	1	1	2
M2W	1	3	6
PA-2A	1	3	6
PA-15	1	15	30
PA-30	2	15	30
PA-60	4	15	30



## D. Long Cable Runs

Very long runs may require step up transformers, as shown in the wiring diagram to the right. For more information, see the Page Power Chart, DOD 895.






Parts Express part # 300-040 or equivalent  
(contact Parts Express at: 800-338-0531)

## Speaker Recommendations

Ambient Noise Environment	Level	Typical Examples	Ceiling Height	Distance Between Speakers
<b>Quiet</b> - Conversations very easily understood.	<b>50dB</b>	Hotel lobby, hospital area, quiet office	9 ft 14 ft	35 ft 50 ft
<b>Normal</b> - Conversations easily understood.	<b>60dB</b>	Bank lobby, department store, auditorium	9 ft 14 ft	25 ft 35 ft
<b>Noisy</b> - Voice must be raised to be understood.	<b>70dB*</b>	Assembly line, supermarket, restaurant	9 ft 14 ft	15 ft 25 ft
<b>Very Noisy</b> - Conversation difficult or impossible.	<b>80dB*</b>	Punch press, printing plant, garage, yard	Paging Horns	25 ft to 75 ft

\* **Note:** An **FBI-1A Feedback Eliminator** is recommended. For more information, see **DOD 465**. For greater intelligibility and louder paging, see model **300AE Paging Horn (DOD 497)**.

## Other Viking Speakers

PICTURE	MODEL	DESCRIPTION	8 OHM	25V	70V	MAX. POWER	VOLUME CONTROL	WEATHER RESISTANT	DOD
	<b>300AE</b>	10-Inch High Power Paging Horn (see <b>NOTE</b> below)	Yes	Yes	Yes	30 Watts	Yes	Yes	497
	<b>25AE-70V</b>	5-Inch 70V Paging Horn		Yes	Yes	10 Watts	Yes	Yes	471
	<b>30AE-70V</b>	8-Inch 70V Metal Grill Ceiling Speaker		Yes	Yes	10 Watts	5 Power Taps		501

**NOTE:** Even though the **300AE's** 30 Watt rating is greater than some of Viking's lower power paging amplifiers, it is an excellent choice because it is more efficient than Viking's smaller 5-inch paging horns. In other words, the larger 10-inch **300AE** only needs 1 Watt of power to play as loud as 2 Watts being driven into the smaller 5-inch paging horn.

## Warranty

**IF YOU HAVE A PROBLEM WITH A VIKING PRODUCT, CONTACT VIKING TECHNICAL SUPPORT AT: 715-386-8666**

Our Technical Support Department is available for assistance Monday through Friday 8:00am - 5:00pm central time. Before you call, please:

1. Know the model number, the serial number and what software version you have (see serial label).
2. Have the Product Manual in front of you.
3. It is best if you are on site.

### RETURNING PRODUCT FOR REPAIR

This procedure is for equipment that needs repair:

1. Customer must contact Viking's Technical Support Department at 715-386-8666 to obtain a Return Authorization (RA) number. The customer MUST have a complete description of the problem, with information regarding the defect, such as options set, conditions, symptoms, methods to duplicate problem, frequency of failure, etc.
2. Packing: Return equipment in original box or in proper packing so that damage will not occur while in transit. The original product boxes are not designed for shipping - an overpack box is required to prevent damage in transit. Static sensitive equipment such as a circuit board should be in an anti-static bag, sandwiched between foam and individually boxed. All equipment should be wrapped to avoid packing material lodging in or sticking to the equipment. Include ALL parts of the equipment. C.O.D. or freight collect shipments cannot be accepted. Ship cartons prepared to:  
**VIKING ELECTRONICS  
1531 INDUSTRIAL STREET  
HUDSON, WI 54016**
3. Return shipping address: Include your return shipping address inside the box. We cannot ship to a PO Box.
4. RA number on carton: In large printing, write the RA number on the outside of each carton being returned.

### RETURNING PRODUCT FOR EXCHANGE

This procedure is for equipment that has failed out-of-box (within 10 days of purchase):

1. Customer must contact Viking's Technical Support at 715-386-8666 to determine possible causes for the problem. The customer MUST be able to step through recommended tests for diagnosis.
2. If the Technical Support Product Specialist determines that the equipment is defective based on the customer's input and troubleshooting, a Return Authorization (RA) number will be issued. This number is valid for fourteen (14) calendar days from the date of issue.
3. After obtaining the RA number, return the approved equipment to your distributor. Please reference the RA number on the paperwork being shipped back with the unit(s), and also the outside of the shipping box. The original product boxes are not designed for shipping - an overpack box is required to prevent damage in transit. Once your distributor receives the package, they will replace the product over the counter at no charge. The distributor will then return the product to Viking using the same RA number.
4. The distributor will NOT exchange this product without first obtaining the RA number from you. If you haven't followed the steps listed in 1, 2 and 3 above, be aware that you will have to pay a restocking charge.

### TWO YEAR LIMITED WARRANTY

Viking warrants its products to be free from defects in the workmanship or materials, under normal use and service, for a period of two years from the date of purchase from any authorized Viking distributor. If at any time during the warranty period, the product is deemed defective or malfunctions, return the product to Viking Electronics, Inc., 1531 Industrial Street, Hudson, WI., 54016. Customer must contact Viking's Technical Support Department at 715-386-8666 to obtain a Return Authorization (RA) number.

This warranty does not cover any damage to the product due to lightning, over voltage, under voltage, accident, misuse, abuse, negligence or any damage caused by use of the product by the purchaser or others. This warranty does not cover non-VEP products that have been exposed to wet or corrosive environments. This warranty does not cover stainless steel surfaces that have not been properly maintained.

**NO OTHER WARRANTIES.** VIKING MAKES NO WARRANTIES RELATING TO ITS PRODUCTS OTHER THAN AS DESCRIBED ABOVE AND DISCLAIMS ANY EXPRESS OR IMPLIED WARRANTIES OR MERCHANTABILITY OR FITNESS FOR ANY PARTICULAR PURPOSE.

**EXCLUSION OF CONSEQUENTIAL DAMAGES.** VIKING SHALL NOT, UNDER ANY CIRCUMSTANCES, BE LIABLE TO PURCHASER, OR ANY OTHER PARTY, FOR CONSEQUENTIAL, INCIDENTAL, SPECIAL OR EXEMPLARY DAMAGES ARISING OUT OF OR RELATED TO THE SALE OR USE OF THE PRODUCT SOLD HEREUNDER.

**EXCLUSIVE REMEDY AND LIMITATION OF LIABILITY.** WHETHER IN AN ACTION BASED ON CONTRACT, TORT (INCLUDING NEGLIGENCE OR STRICT LIABILITY) OR ANY OTHER LEGAL THEORY, ANY LIABILITY OF VIKING SHALL BE LIMITED TO REPAIR OR REPLACEMENT OF THE PRODUCT, OR AT VIKING'S OPTION, REFUND OF THE PURCHASE PRICE AS THE EXCLUSIVE REMEDY AND ANY LIABILITY OF VIKING SHALL BE SO LIMITED.

IT IS EXPRESSLY UNDERSTOOD AND AGREED THAT EACH AND EVERY PROVISION OF THIS AGREEMENT WHICH PROVIDES FOR DISCLAIMER OF WARRANTIES, EXCLUSION OF CONSEQUENTIAL DAMAGES, AND EXCLUSIVE REMEDY AND LIMITATION OF LIABILITY, ARE SEVERABLE FROM ANY OTHER PROVISION AND EACH PROVISION IS A SEPARABLE AND INDEPENDENT ELEMENT OF RISK ALLOCATION AND IS INTENDED TO BE ENFORCED AS SUCH.

Due to the dynamic nature of the product design, the information contained in this document is subject to change without notice. Viking Electronics, and its affiliates and/or subsidiaries assume no responsibility for errors and omissions contained in this information. Revisions of this document or new editions of it may be issued to incorporate such changes.