

## Add COVID-19 Safety Announcements to Paging or Public Address Systems

Social distancing is one of the most important steps we can take to help slow the spread of COVID-19. Some states are requiring businesses to make announcements reminding patrons to keep a safe distance apart.

Viking's model **DVA-2WA** is an easy and affordable way to add continuous loop announcements to an existing paging system, or the unit can drive speakers directly.

The versatile **DVA-2WA** is a digital announcer with a built-in 2 Watt amplifier. Designed to provide music and promotion on hold, the **DVA-2WA** can playback in a continuous loop or alternate between announcements and background music in timed intervals. Any number of multiple messages may be recorded.

The output of the **DVA-2WA** may also be connected directly to loudspeakers for repeated messages or played at the push of a button for "on-demand" announcements.



The **DVA-2WA** features non-volatile memory and eliminates the need for batteries or costly built in tape decks. This provides the convenience of recording at the shop or professional studio and then shipping to the installation site.

### DVA-2WA Features

- 7.5 minutes of user recordable memory
- Three playback options: on demand, continuous loop, or timed intervals
- Non-volatile memory (no batteries required)
- Built-in 2 Watt amplifier will drive up to three Viking model 25AE Paging Horns, 30AE Ceiling Speakers or equivalent
- Record from electret mic, carbon handset, tape, CD, PC sound card or any line level device
- Monitor recording from a standard handset
- 600 Ohm audio output for high wattage amplifiers
- Multiple message capabilities
- AGC (Automatic Gain Control) for trouble free recording
- Auxiliary audio (MOH) input for background music between messages
- Remote trigger input for on-demand playback from a remote contact closure
- Press and hold play mode
- Status LED for record and playback indication
- Master and auxiliary input volume controls
- I.O. (Input/Output) communications port (allows only one DVA-2WA to announce at a time)

### Sample Announcements

*"Practice social distancing by putting space between yourself and others. Continue to practice healthy habits to help slow the spread of COVID-19."*

*"Continue to practice healthy habits, like washing your hands for at least 20 seconds and staying home if you're sick, to help slow the spread of COVID-19."*

*"You can help prevent the spread of respiratory illnesses like COVID-19 by following simple daily precautions."*

*"Social distancing means putting space between yourself and others."*

*"Stay at least 6 feet away from other people."*

(All samples above courtesy of cdc.gov)

**Important:** Remember to follow guidelines and instructions from your local health officials.

# Installation

**IMPORTANT:** This **Application Note** should be used in conjunction with the **DVA-2WA Product Manual**, see **DOD 110**. If you have any questions, please call Viking Customer Support at 715-386-8861 or email: [info@vikingelectronics.com](mailto:info@vikingelectronics.com)

## A. Continuous Loop Announcement

In this application, the **DVA-2WA** allows single or multiple informational messages to be repeated continuously or you may use the message repeat delay time option for adding timed intervals between messages.

Up to three 8-Ohm speakers may be connected. Recommended Viking speakers: **25AE** Paging Horn, **30AE** Ceiling Speaker, **35AE** Ceiling Speaker, **40AE** Ceiling Speaker, **300AE** High-Power Paging Horn, or equivalent. For more information on compatible Viking speakers, see page 3 or search DOD 497 and 498 at [www.VikingElectronics.com](http://www.VikingElectronics.com).



To Input of Existing  
Paging Amplifier

Connect up to three  
8-Ohm Speakers

## B. On-Demand Announcement

This application is ideal for situations in which a momentary contact closure will trigger the announcement or message. Once triggered, the **DVA-2WA** will play the entire message. When the message has finished, the switch can be activated again to play the next message (or repeat the first message if only one is recorded).

Up to three 8-Ohm speakers may be connected. Recommended Viking speakers: **25AE** Paging Horn, **30AE** Ceiling Speaker, **35AE** Ceiling Speaker, **40AE** Ceiling Speaker, **300AE** High-Power Paging Horn, or equivalent. For more information on compatible Viking speakers, see page 3 or search DOD 497 and 498 at [www.VikingElectronics.com](http://www.VikingElectronics.com).



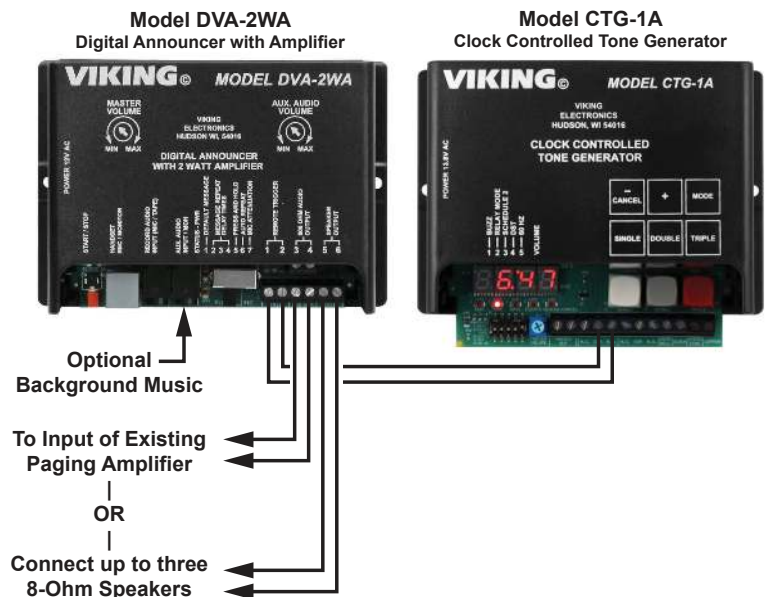
Remote Trigger  
Switch / Button

Connect up to three  
8-Ohm Speakers

## C. Time Activated Announcements

In this application, the **DVA-2WA** is used in conjunction with a Viking **CTG-1A** Clock Controlled Tone Generator (**DOD 461**) to provide time activated promotional voice messages over an existing paging system.

Up to three 8-Ohm speakers may be connected. Recommended Viking speakers: **25AE** Paging Horn, **30AE** Ceiling Speaker, **35AE** Ceiling Speaker, **40AE** Ceiling Speaker, **300AE** High-Power Paging Horn, or equivalent. For more information on compatible Viking speakers, see page 3 or search DOD 497 and 498 at [www.VikingElectronics.com](http://www.VikingElectronics.com).



## Cost Effective Paging Speakers

The **25AE**, **30AE**, **35AE**, and **40AE** paging speakers provide additional economical paging coverage to existing Viking paging units or to any system with an 8 Ohm output.

In outdoor, factory or warehouse environments, **25AE** paging horns are the best method of producing understandable sound. In these environments the directional design allows the installer to focus the sound cone down aisles and toward work areas.

In office and restaurant environments, it is best to distribute sound more evenly. Ceiling mounted **30AE**, **35AE**, or **40AE** speakers in close proximity offer the best distribution and are cost effective. The **35AE** speakers include a volume control.



For more information, search DOD 498 at [www.VikingElectronics.com](http://www.VikingElectronics.com)

## High Power Weather Resistant Paging Horn

The **300AE** paging horn provides a direct voice coil connection for use with 8 Ohm paging systems such as Viking models **PA-2A**, **PA-15**, **HF-3W**, **DVA-2WA**, **M2W**, and **PA-IP**.

The **300AE** paging horn also provides a built-in step-down transformer for use with 25V or 70V paging systems such as Viking models **PA-30**, **PA-60**, **PA-250**, **PA-250-IP**, and **PP-250**. The transformer has a range of power taps that are selectable with a 6 position rotary switch, so that installers are able to independently adjust the volume of each paging horn. These higher voltage paging systems also have the advantage of being able to connect more speakers using lighter gauge wire runs and still have less volume lost in wire resistance.

The **300AE** weather resistant design allows for use in outdoor, factory, or warehouse environments. Its larger size and greater frequency response provide greater intelligibility of voice pages and is suitable for background music. The directional design allows the installer to focus the sound cone down aisles and toward work areas. The included mounting hardware provides full adjustment of horizontal and vertical positioning.



For more information, search DOD 497 at [www.VikingElectronics.com](http://www.VikingElectronics.com)

## Clock Controlled Tone Generator

Viking's model **CTG-1A** is a clock controlled tone generator designed to provide accurately timed bong alert tones or buzzer alert tone sounds over an existing paging system.

The **CTG-1A** can be programmed to output single, double or triple alert tones with up to 128 events in a 24 hour period in each of two separate schedules. These bong / buzzer sounds are ideal for indicating the start and end of shifts, break times, lunch periods, etc. for factories, schools, or any business requiring an audible indication of specified times. Each day of the week can be programmed to either schedule 1, schedule 2 or off, allowing you to turn off the alert tones during specific days of the week (weekends, etc.) In place of sending tones, the **CTG-1A** can operate in the Timed Relay Mode to turn on or off the relay at certain times of the day. The **CTG-1A** has three contact closure inputs for triggering an emergency siren, evacuation signal or a doorbell sound.



For more information on the CTG-1A, search DOD 461 at [www.VikingElectronics.com](http://www.VikingElectronics.com)

Due to the dynamic nature of the product design, the information contained in this document is subject to change without notice. Viking Electronics, and its affiliates and/or subsidiaries assume no responsibility for errors and omissions contained in this information. Revisions of this document or new editions of it may be issued to incorporate such changes.