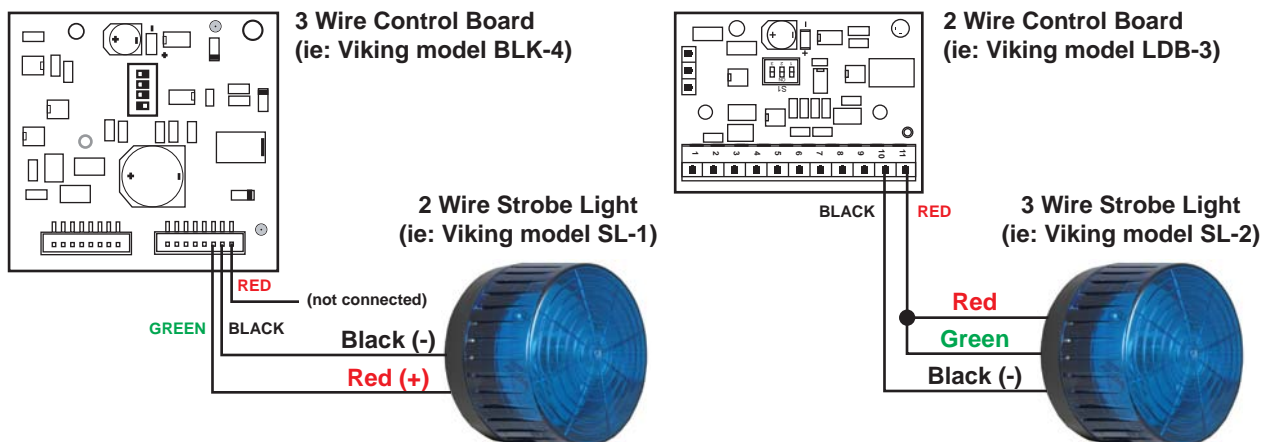
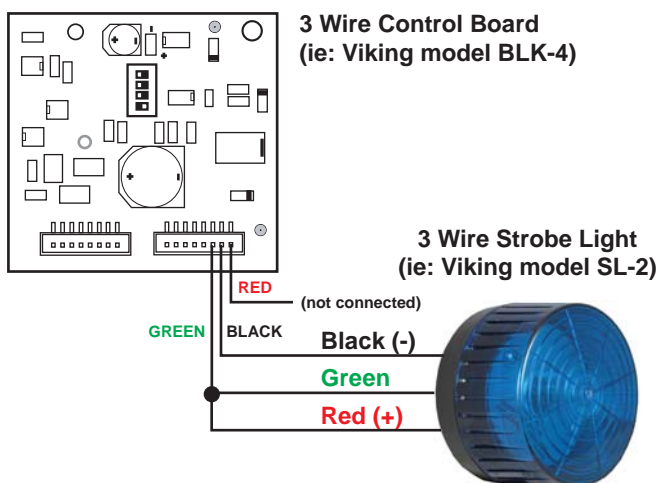


Strobe Light Wiring Applications



Eliminate the Beacon Feature of Newer Strobe Lights



We now have 2 and 3 wire strobe lights and strobe control boards that are designed for the 2 or 3 wire strobes. These different strobes and control boards are fully compatible with one another when wired correctly. Also the new steady on “beacon” feature of 3 wire strobes can be disabled through wiring, eliminating the need to access the program mode of the strobe.