

# APPLICATION Note

**TELECOM SOLUTIONS FOR THE 21ST CENTURY**

**K-202-DVA, RC-2A,  
RC-3 Compatibility**

July 6, 2020

## K-202-DVA Compatibility with RC-2A and RC-3



Model RC-2A  
(DOD 165)



Model RC-3  
(DOD 160)

The K-202-DVA digital announcer is designed to be fully compatible with the Viking models **RC-2A** and **RC-3** remote DTMF controllers. No conflicts between the devices will occur, provided that both units are accessed using the operation and programming guidelines described below.



Model K-2000-DVA  
(DOD 303)

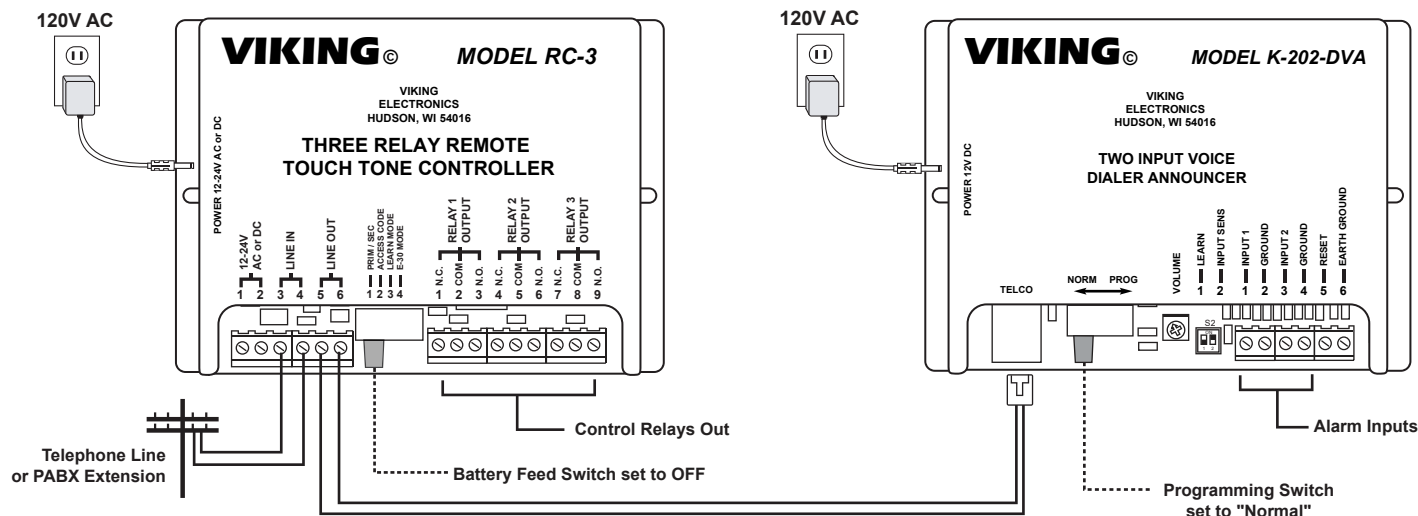
**Important Potential Conflicts:** The **RC-3** may be programmed while on-line with the **K-202-DVA**. However, due to potential touch tone conflicts, programming of the **K-202-DVA** should **NOT** be attempted while on-line with the **RC-2A** or **RC-3**.

[www.VikingElectronics.com](http://www.VikingElectronics.com)

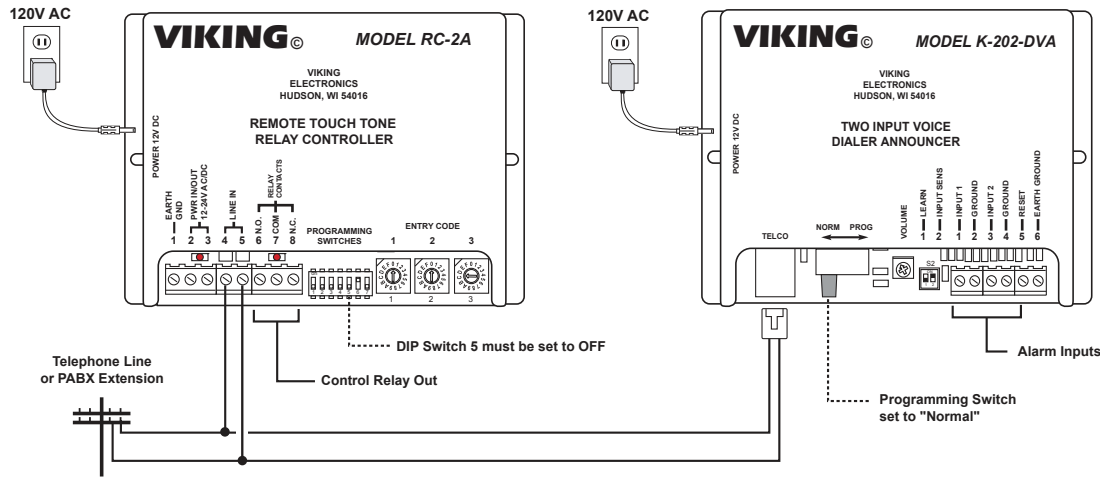
Information: 715-386-8861

## Installation

### A. Installing the K-202-DVA with the RC-3



## B. Installing the K-202-DVA with the RC-2A



# Programming / Operation

## A. Definitions

**Reporting Mode:** The mode of operation in which the **K-202-DVA** has been triggered to dial out, for purposes of making contact with a party.

**Polling Mode:** The mode of operation in which a calling party has called into the **K-202-DVA** for purposes of retrieving or clearing stored messages.

## B. Configuring the RC-2A / RC-3 for use with the K-202-DVA

1. The **RC-2A** or **RC-3** security or access code must be enabled.
2. Security and/or access code(s) for **RC-2A** or **RC-3** must differ from those of the **K-202-DVA**.
3. The **RC-2A** or **RC-3** should be set for maximum ring delay (15 rings for **RC-2A**, 31 rings for **RC-3**).

## C. Configuring the K-202-DVA for use with the RC-2A or RC-3

1. The security and access codes for the **K-202-DVA** must differ from those of the **RC-2A** or **RC-3**.
2. The **K-202-DVA** must be set to answer in fewer rings than the **RC-2A** or **RC-3**.

## D. Accessing the K-202-DVA

### 1. While the K-202-DVA is in the "Polling Mode"

- a. Call into the **K-202-DVA** and **RC-2A/RC-3** combination.
- b. When the **K-202-DVA** answers, enter \* + the 6 digit access code for the **K-202-DVA**. Two beeps will be heard from the **K-202-DVA**. The **K-202-DVA** may now be operated normally.

### 2. While the K-202-DVA is in the "Reporting Mode"

If the **K-202-DVA** is in the "Reporting Mode", the **K-202-DVA** may be operated normally.

## E. Accessing the RC-2A/RC-3

### 1. While the K-202-DVA is in the "Polling Mode"

- a. Call into the **K-202-DVA** and **RC-2A/RC-3** combination.
- b. When the **K-202-DVA** answers, enter \* + the 6 digit access code for the **K-202-DVA**. Then enter \* + the 3 or 6 digit access code for the **RC-2A** or **RC-3** respectively. The **RC-2A/RC-3** may now be operated normally. **Note:** The (**RC-2A/RC-3**) "force hang-up" command will not automatically release the line; the user must hang up.

### 2. While the K-202-DVA is in the "Reporting Mode"

Enter \* + the 3 or 6 digit access code for the **RC-2A** or **RC-3** respectively. The **RC-2A/RC-3** may now be operated normally. **Note:** The (**RC-2A/RC-3**) "force hang-up" command will not automatically release the line; the user must hang up.

**Product Support: 715-386-8666**

**Fax Back Line: 715-386-4345**

Due to the dynamic nature of the product design, the information contained in this document is subject to change without notice. Viking Electronics, and its affiliates and/or subsidiaries assume no responsibility for errors and omissions contained in this information. Revisions of this document or new editions of it may be issued to incorporate such changes.