



# APPLICATION Note

**TELECOM SOLUTIONS FOR THE 21ST CENTURY**

**Deactivating the LDB-3 with a Remote Switch**

October 9, 2003

## Deactivate the LDB-3 Relay with a Remote Switch

The internal relay on the **LDB-3** can be manually deactivated from a remote switch, contact closure, etc. This can be useful to turn off the controlled device (strobe light, camera, etc.)

If the relay has been activated by ringing the switch will deactivate the relay and ringing must stop for a minimum of 6 seconds before the relay can be reactivated from a new incoming call.



<http://www.vikingelectronics.com>

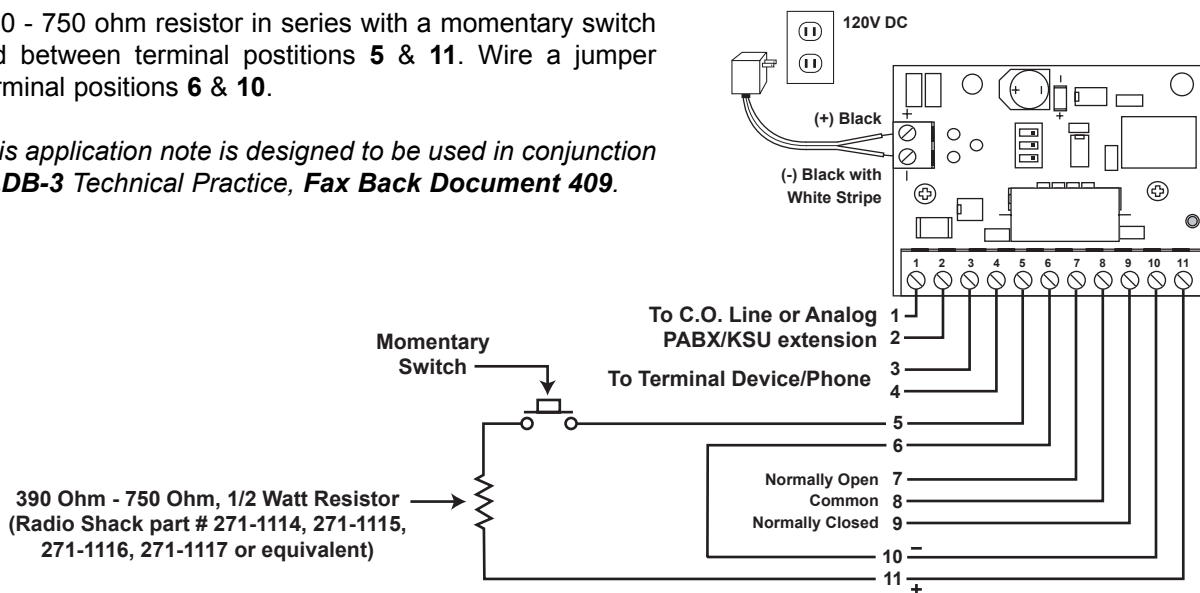
[info@vikingelectronics.com](mailto:info@vikingelectronics.com)

Phone...715.386.8861

## Installation

Wire a 390 - 750 ohm resistor in series with a momentary switch connected between terminal positions **5** & **11**. Wire a jumper across terminal positions **6** & **10**.

**Note:** This application note is designed to be used in conjunction with the **LDB-3 Technical Practice, Fax Back Document 409**.



**Product Support Line...715.386.8666**

**Fax Back Line...715.386.4345**

Due to the dynamic nature of the product design, the information contained in this document is subject to change without notice. Viking Electronics, and its affiliates and/or subsidiaries assume no responsibility for errors and omissions contained in this information. Revisions of this document or new editions of it may be issued to incorporate such changes.