



# APPLICATION Note

**TELECOM SOLUTIONS FOR THE 21ST CENTURY**

**Q170600**

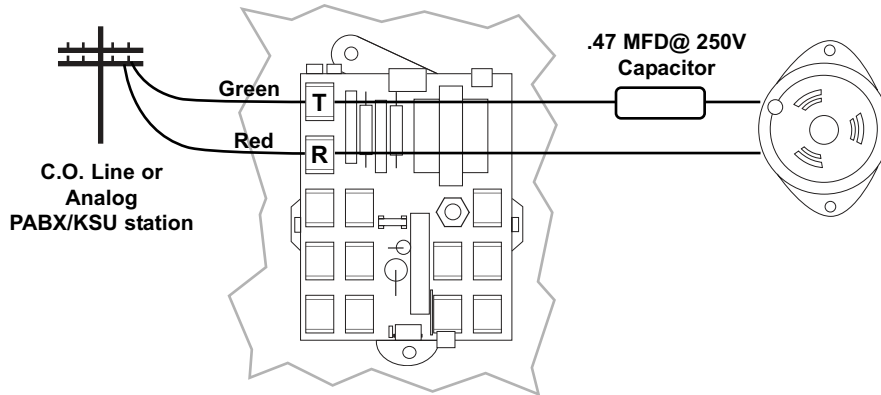
**Adding a Ringer to Viking Telephones**

April 17, 2009

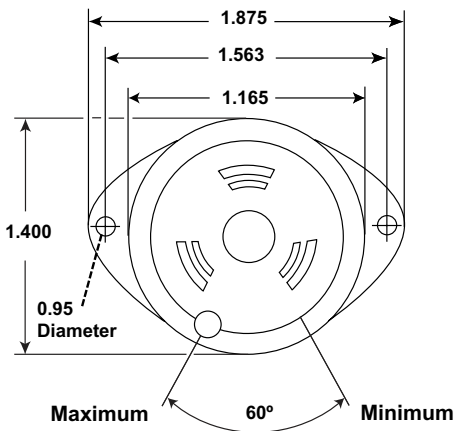
## Adding a Ringer to Viking Telephones

A **Q170600** ringer may be easily added to Viking phones that don't provide a ringer from the factory. The ringer provides a loud electronic warble each time standard ring voltage is detected. The **Q170600** kit includes a capacitor and a ringer.

### A. Installation for the K-1900D-2 and K-1900W-2



### B. Adjusting the Ring Volume



[info@vikingelectronics.com](mailto:info@vikingelectronics.com)

<http://www.vikingelectronics.com>

## Specifications

**Power:** Telephone line powered (40 - 107V AC @ 16 - 67 Hz)  
**Dimensions:** 35.6mm x 40.6mm x 31.2mm (1.40" x 1.6" x 1.23")  
**Shipping Weight:** 0.45 kg (1 lb)  
**Environmental:** -20° C to 65° C (-4° F to 149° F) with 5% to 95% non-condensing humidity  
**REN:** 0.4A  
**Ring Volume:** 70 - 90 db

**Product Support Line...715.386.8666**

**Fax Back Line...715.386.4345**

Due to the dynamic nature of the product design, the information contained in this document is subject to change without notice. Viking Electronics, and its affiliates and/or subsidiaries assume no responsibility for errors and omissions contained in this information. Revisions of this document or new editions of it may be issued to incorporate such changes.