



SPOTLIGHT: CTG-2A

Add Master Clock Controlled Tones or Messages & Emergency Notifications to Your Paging System

Model CTG-2A

Viking's model CTG-2A is a networked clock controlled tone/message generator designed to provide accurately timed tones and/or messages over your existing paging system. This provides a cost effective way of signaling school period changes, factory shifts, breaks, lunch periods, etc.

The CTG-2A has four programmable trigger inputs which are ideal for triggering emergency alert tones/messages to indicate fire evacuation, severe weather, lock down, all clear, or can be used in store caster applications for "customer service required" announcements, etc. The CTG-2A can also be used as a master clock to synchronize Viking CL Series wireless clocks, see page 3.



vikingelectronics.com/products/ctg-2a/

30 Watt Professional Telecom Paging Amplifier

Model PA-30

- Can be used in conjunction with the CTG-2A
- Drives up to (30) 8 Ohm paging horns or speakers or (50) 70V or 25V speakers
- Output to drive additional amplifiers

The PA-30 provides paging from the phone system paging port or connect to an unused trunk input or FXO port (provides 40 Volts of talk battery). The PA-30 has separate inputs and volume controls for paging, auxiliary source, loud ringing and background music. A contact closure or ringing line can activate loud ringing.



vikingelectronics.com/products/pa-30/

Programming the CTG-2A

Learn how to program the CTG-2A in this easy-to-follow video series.

PART 1

PROGRAM THE CTG-2A
PART 1 OF 3
CONNECTING



VIKING Electronics, Inc

- Install the software
- Connect over the network
- Creating a new DAT file
- Using a static IP address
- Connect to the CTG-2A



PART 2

PROGRAM THE CTG-2A
PART 2 OF 3
AUDIO & TRIGGERS



VIKING Electronics, Inc

- Upload audio files
- Program trigger inputs
- Creating a balanced mix of audio files



PART 3

PROGRAM THE CTG-2A
PART 3 OF 3
Events & Calendar



VIKING Electronics, Inc

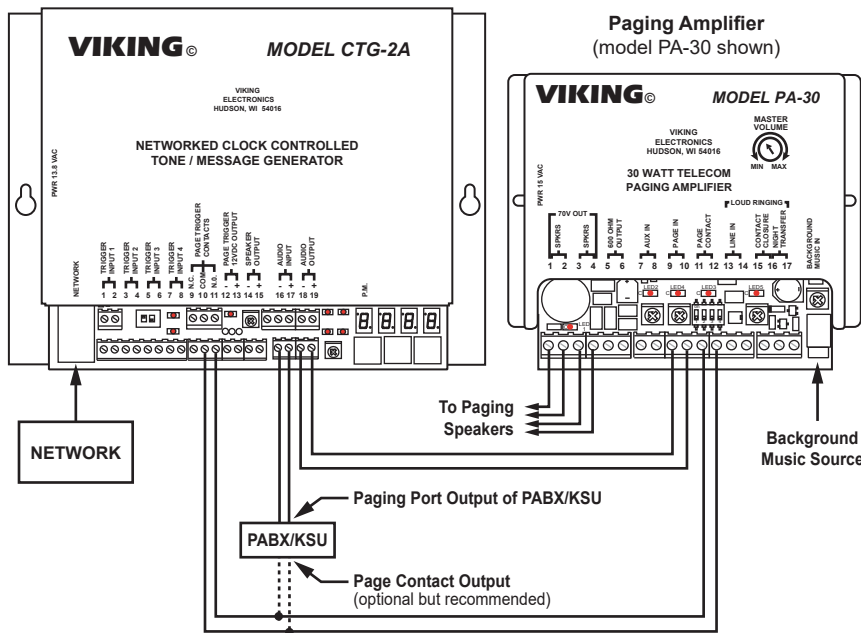
- Program clock and time sync settings
- Add events to a schedule
- Schedule event changes in programming



TECH TIPS

Typical Installation for the CTG-2A

Automatically switch paging audio through the CTG-2A for time activated or externally triggered messages and/or tones.



For more information on the CTG-2A, go to: vikingelectronics.com/products/ctg-2a/ or SCAN here with your phone



PRODUCT PROFILES

Paging Horns



25AE

300AE

In outdoor, factory, or warehouse environments, paging horns are the best method of producing understandable sound. The directional design of Viking paging horns allows the installer to focus the sound cone down aisles and toward work areas.

The compact 25AE paging horn features an adjustable base for easy mounting and directional adjustment. The 25AE can handle up to 12 Watts of power and is compatible with 8 Ohm systems.

The 300AE paging horn is a large 10 inch diameter horn that provides a direct voice coil connection for use with 8 Ohm paging systems such as Viking paging amplifiers. The 300AE can handle up to 30 Watts of power and is compatible with 8 Ohm, 25V, or 70V systems.

For more info on the 25AE, go to: vikingelectronics.com/products/25ae/

For more info on the 300AE, go to: vikingelectronics.com/products/300ae/

TRIVIA QUESTION

Which famous March born physicist formulated the theory of relativity?

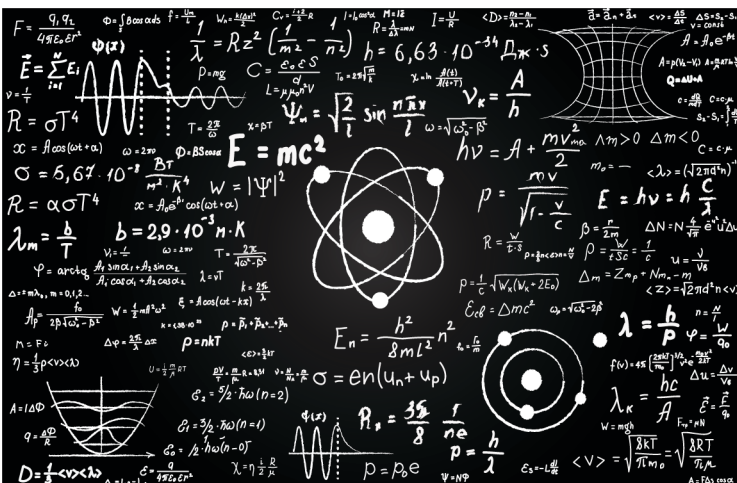
Everyone who submits the correct answer by 4/30/2024 will be entered into a prize drawing.

HOW TO ANSWER | FAX: 715-386-4344 | SCAN --> EMAIL: info@vikingelectronics.com



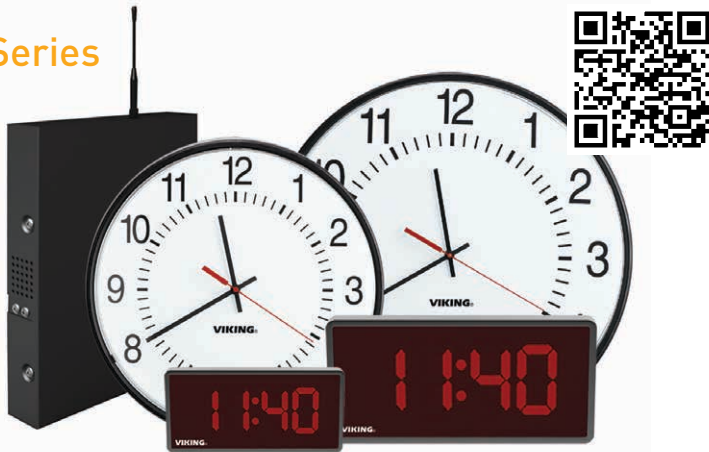
JAN-FEB Trivia: 2024 is a leap year and February 29th is a leap day, so what is a leapling?

Answer: A person born on February 29th
Congratulations to **JOSH ISBLE** from **WESCO!**



Wireless Synchronized Clocks, RF Transmitter, and Accessories

CL Series



Viking's Wireless Clock System provides reliable, accurately synchronized clocks for your entire facility. Eliminating dedicated clock wiring can save you thousands of dollars on installation and also allows for easy retrofitting of an existing installation. While most wireless systems are limited to the range of the transmitter, Viking's system is not. Each clock acts as a Repeater (transceiver), meaning the secondary clocks both receive and retransmit the signal, maximizing signal transmission distances. The system is comprised of a CTG-2A primary clock, a CL-RFT clock RF transmitter and Analog or Digital wireless secondary clocks. Installation is a cinch for our wireless clocks, just insert the batteries or connect power and hang them. That's it!

RF Transmitter/Repeater

The CL-RFT transmitter receives time sync data from the CTG-2A and transmits to the clocks via 915 to 928 MHz frequency hopping technology. Powerful 1 Watt (30dBm) output communicates up to 6,500 ft. in open space. It can also be configured as a repeater for larger spaces. No FCC license required. Dimensions 11" x 8" x 1.7".



Digital Clocks

Wireless bright digital clocks require 120 Volt AC outlet (power supply included). The clocks are updated every minute from the CTG-2A. Viking offers a digital clock with a 2.5" tall display (CL-D2) and a 4" tall display (CL-D4). Shown with optional double mount bracket CL-DMD2 or CL-DMD4.



Analog Clocks

Wireless analog clocks are battery operated and require no wiring. Battery life using two D size Duracell Procell batteries is more than 5 years. The clocks are updated every 4 hours from the CTG-2A. Clocks can be located up to 6,500 ft. from the CL-RFT transmitter/repeater or up to 500 ft. from another synchronized clock. Viking offers analog clocks in 12" diameter (CL-A12) and 16" diameter (CL-A16).



MEMORABLE PRANKS

1957 - The BBC reported that Swiss farmers were experiencing a record spaghetti crop and showed footage of people harvesting noodles from trees.

1985 - Sports Illustrated writer George Plimpton tricked many readers when he ran a made-up article about a rookie pitcher named Sidd Finch who could throw a fastball over 168 miles per hour.

1986-PRESENT - Press releases for the [non-existent] New York City April Fools' Day Parade have been issued every year since 1986.

1996 - Taco Bell Corp. runs a full-page ad in several major newspapers claiming it has purchased the Liberty Bell and is renaming it the "Taco Liberty Bell."

1998 - Burger King advertised a "Left-Handed Whopper" and scores of clueless customers requested the fake sandwich.

2004 - The National Public Radio show "All Things Considered" runs a story about the post offices' new "portable zip codes" program. The program was designed to represent "a citizen's place in the demographic, rather than geographic, landscape."

2008 - The BBC runs a video clip of flying penguins as part of a story. The presenter explains that the penguins escaped the cold, harsh Antarctic weather by flying to the tropical rainforests of South America.

GOOGLE notoriously hosts an annual April Fools' Day prank that has included everything from "telepathic search" to playing Pac Man on Google Maps.

APRIL FOOL'S DAY is a holiday that has been celebrated for centuries, and it's enjoyed by people all around the world. Whether you're playing pranks on your friends or just enjoying the lighthearted humor of the day, it's a time to let loose and have some fun.



UPCOMING EVENTS

CEDIA
Denver, CO
Sep 5-8, 2024

ISC West
Las Vegas, NV
Apr 10-12, 2024

Channel Partners
Las Vegas, NV
Mar 11-14, 2024

ESX
Louisville, KY
Jun 3-6, 2024

For the most up-to-date info on events, products, and more, follow us on Facebook (scan here) -->



CONTACT US

PHONE: 715.386.8861

FAX: 715.386.4344

EMAIL: info@vikingelectronics.com

WEB: vikingelectronics.com



Published by Viking Electronics, Inc. For customer service, call: 715-386-8861. To **UNSUBSCRIBE**, please send an email to: mailings@vikingelectronics.com. Include your mailing address and we will promptly honor your request. Please note: Viking Electronics is dedicated to protecting your privacy. We will never share or sell your personal information.

© 2024 Viking Electronics, Inc. All rights reserved.

VIKING

Viking Electronics, Inc.
1531 Industrial Street
Hudson, WI 54016-9386

X-1605 Emergency Phone with HD Video

NEW!



For more info on the
X-1605 Emergency Phone,
scan the code or go to

The X-1605 Series of IP Video Emergency Phones are designed to provide HD video and reliable handsfree voice communication for SIP VoIP phone systems, cloud providers, or third party apps. The built-in IP video camera supports both H.264 and MJPEG video compression via RTSP, offering low-light sensitivity, a wide 126-degree viewing angle, and can output both call and NVR video streams simultaneously at up to 1080p resolution.

The X-1605 emergency phones dial programmable numbers and automatically cycles through backup phone numbers in case of a busy signal or no answer. Convenient remote programming via a web-based UI, eliminating the need for a dedicated app. On-board 2 Amp relay contacts are provided for activating door strikes or gate controllers.

vikingelectronics.com/products/x-1605/

WHAT'S INSIDE?

- Learn about the versatile CTG-2A
- Find out more about wireless clocks
- Answer some trivia and you could win!
- April Fools memorable pranks